

FANUC ROBOSHOT α -S250iA

Mechanical specifications

Item		Unit	Data							
Clamping unit	Clamping mechanism	---	Double toggle							
	Tonnage	kN	Standard 2500 (250 tonf) / Increased 3000 (300 tonf)(Option)							
	Maximum and minimum die height	mm	Doubleplaten 650 - 300 / Extended die height 750 - 300(Option)							
	Clamping stroke	mm	600							
	Locating ring diameter	mm	ϕ 100							
	Tie bar spacing (HxV)	mm	710x635							
	Platen size (HxV)	mm	1030x960							
	Minimum mold size (HxV) ^{*1)}	mm	420x385							
	Ejector stroke	mm	200							
	Maximum ejector force	kN	80 (8.0tonf)							
Injection unit	Screw diameter	mm	32	36	40	44	48	52	56	
	Injection stroke	mm	150	150	150	176	176	208	260	
	Maximum injection volume	cm ³	121	153	188	268	318	442	640	
	Inj.speed 270mm/s (High duty)	Maximum injection pressure ^{*2)}	MPa	280	280	280	260	230	200	172 ^{*7)}
		Maximum pack pressure ^{*2)}	MPa	280	280	280	260	230	200	172 ^{*7)}
		Maximum injection rate ^{*3)}	cm ³ /s	217	274	339	410	488	573	665
		Maximum injection speed ^{*3)}	mm/s	270						
		Maximum screw rotation speed	min ⁻¹	400						
	Inj.speed 330mm/s	Maximum injection pressure ^{*2),*4)} (High pressure filling mode)	MPa	380	345	280	---	---	---	---
		Maximum injection pressure ^{*2)}	MPa	280	280	260	220	190	160 ⁷⁾	140 ^{*7)}
		Maximum pack pressure ^{*2)}	MPa	280	280	260	220	190	160 ⁷⁾	140 ^{*7)}
		Maximum injection rate ^{*3)}	cm ³ /s	265	335	414	501	597	700	812
		Maximum injection speed ^{*3)}	mm/s	330						
		Maximum screw rotation speed	min ⁻¹	400						
	Nozzle touch force	kN	30 (3.0 tonf)							
	Screw & Barrel	Number of pyrometers	Barrel	3						4
			Nozzle	1						
Total heater wattage		kW	12.0	13.0	14.9	15.9	17.9	20.2	23.5	
Machine weight ^{*5)}	t	Inj.speed 270mm/s(High duty) 12.5 (Approximately) Inj.speed 330mm/s 12.5 (Approximately)								

*1) Smaller mold than this size may limit clamp force.

*2) The maximum injection pressure and maximum pack pressure is not melt pressure but injection unit output.
The maximum injection pressure and maximum pack pressure is the maximum value can be set.

The maximum injection pressure and maximum pack pressure might be limited depending on the molding condition.

*3) Maximum injection rate and maximum injection speed is a theoretical value.

Maximum injection rate and maximum injection speed can not be guaranteed when the injection pressure is maximum.

*4) The maximum injection pressure setting at high pressure filling mode option. The maximum pack pressure will be changed.

There is a limitation in injection time setting and pack time setting, when high pressure filling mode option is selected.(Contact sales for detail)

High pressure resistance barrel and nozzle are necessary, when high pressure filling option is selected.(Contact sales for detail)

*5) The machine without option.

*6) The pressure conversion is 1MPa=10kgf/cm².

*7) The molding condition might be limited by the resin.(Contact sales for detail)

Installation conditions

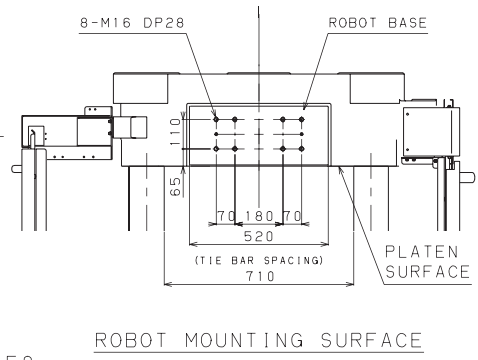
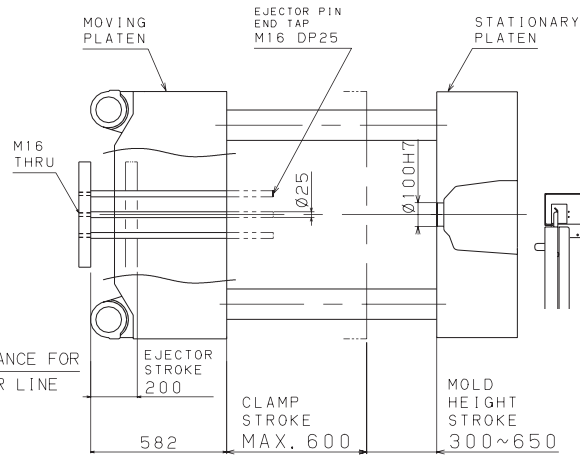
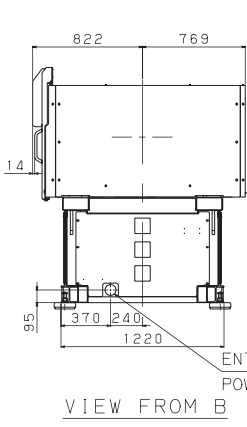
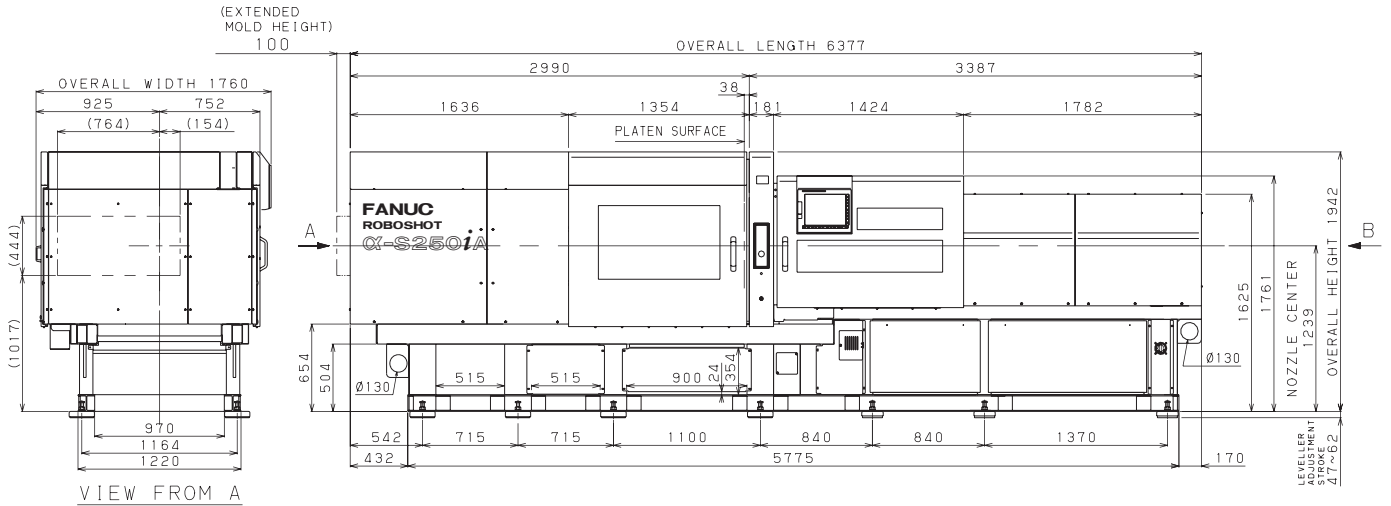
Item		Data
Input power source		3-phase AC200V \pm 10% 50/60Hz \pm 1Hz 3-phase AC220V \pm 10% 60Hz \pm 1Hz
Main breaker ^{*8)}	Inj.speed 270mm/s (High duty)	225A (With peripheral devices) ^{*9)}
		125A (With no peripheral device) ^{*9)}
	Inj.speed 330mm/s	225A (With peripheral devices) ^{*9)}
		125A (With no peripheral device) ^{*9)}
Ground		Follow relevant laws and standards of the country where the machine is installed when performing grounding.
Installing environment	Temperature	0 ~ 40°C (20 ~ 25°C recommended)
	Humidity	Below 75% (Below 95% under short term operation)
	Vibration	Below 0.5G
	Atmosphere	Take care of corrosive gas.

*8) Connect power cable to the machine's main breaker directly. The breaker is ground fault type with 100mA of sensitivity.

*9) With peripheral devices: When peripheral devices "External outlet + Mold heater controller" or "External outlet + Integrated hotrunner controller" are used in addition to the molding machine
With no peripheral device: When only the molding machine is used

All specifications are subject to change without notice.

FANUC ROBOSHOT α -S250iA



(STANDARD ACCESSORY 4-EJECTOR PINS)

